

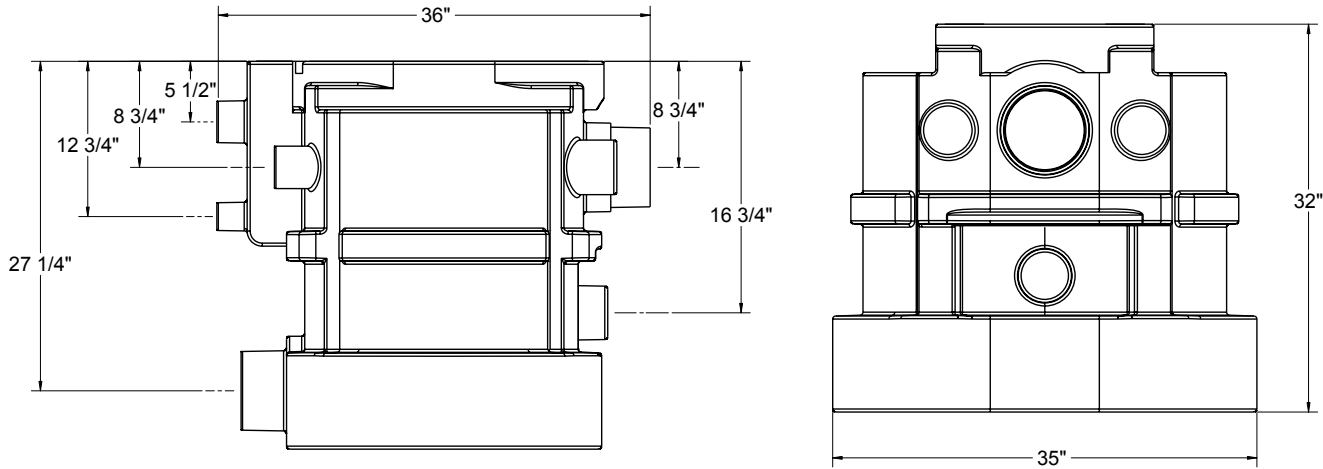


# GW75, GW115, GW155

## FLOTENDER™ GREYWATER RECYCLING SYSTEMS

### GW GREYWATER SYSTEM

The Flotender GW75, GW115 and GW155 are designed to filter bath and laundry water for trouble free drip irrigation in the landscape. Special design considerations address both precise filtering as well as serviceability and convenience. Model selection is based on the number of fixtures that will be connected to allow for simultaneous usage.



### FLOTENDER GREYWATER RECYCLING SYSTEMS

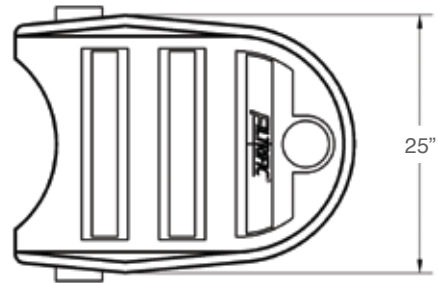
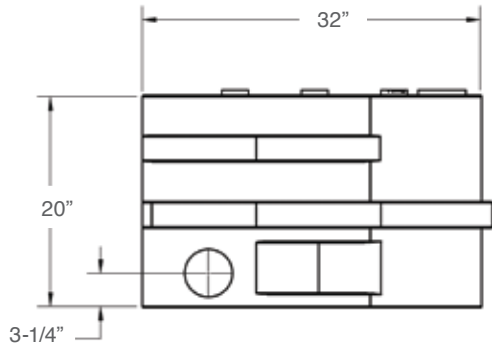
#### MODEL: GW75, GW115, GW155

#### FEATURES:

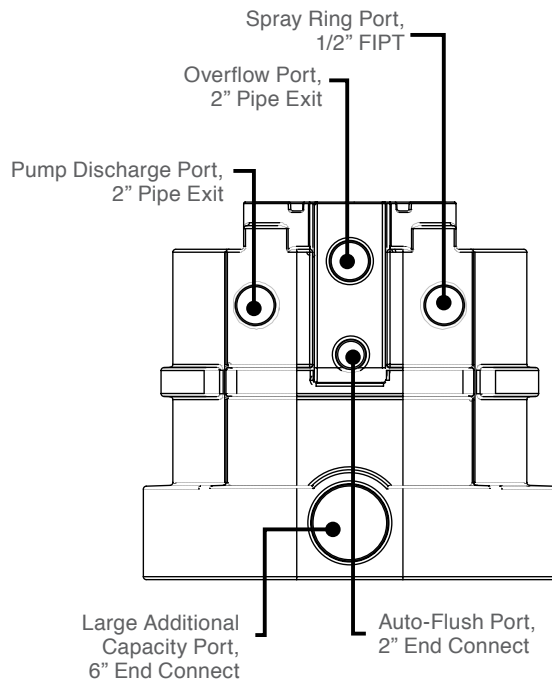
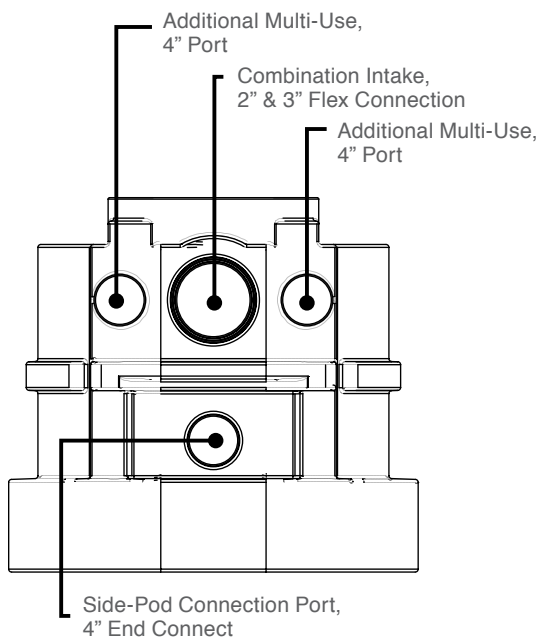
- 75, 115, & 155 gallon surge capacity
- Connects to 2" or 3" intake pipe
- 150 mesh & 140 mesh, stainless steel, internal and external filtering
- 120v, 650W, 1/2 HP multi-stage pumping with filter rinse:
  - 2 gpm, 120 gph - 32 psi
  - 4 gpm, 240 gph - 30 psi
  - 6 gpm, 360 gph - 28 psi
  - 8 gpm, 480 gph - 26 psi
  - 10 gpm, 600 gph - 23 psi
  - 12 gpm, 720 gph - 20 psi
- Expandable 100 emitter, 100 GPH drip kit
- Pump and filter performance indicators
- Bolt down integrated lid system
- Convenient filter access
- Removable filter carriage and filter rinse assembly
- Internal stainless steel retainer and tracking system
- Side-Pod additional capacity port for expandable surge containment



MODEL: T40SP (included in GW115, GW155)



GW75, GW115, GW155 PORTS



## GW75, GW115 & GW155 Greywater Recycling Systems

\* Sized with the consideration that all greywater sources may be used simultaneously.



Shower  
25 Gallons Each



Bathtub  
50 Gallons Each



Washing Machine  
25 Gallons Each



GW75  
Includes  
100 Emitter Drip Kit



GW115  
Includes  
100 Emitter Drip Kit



GW155  
Includes  
100 Emitter Drip Kit