

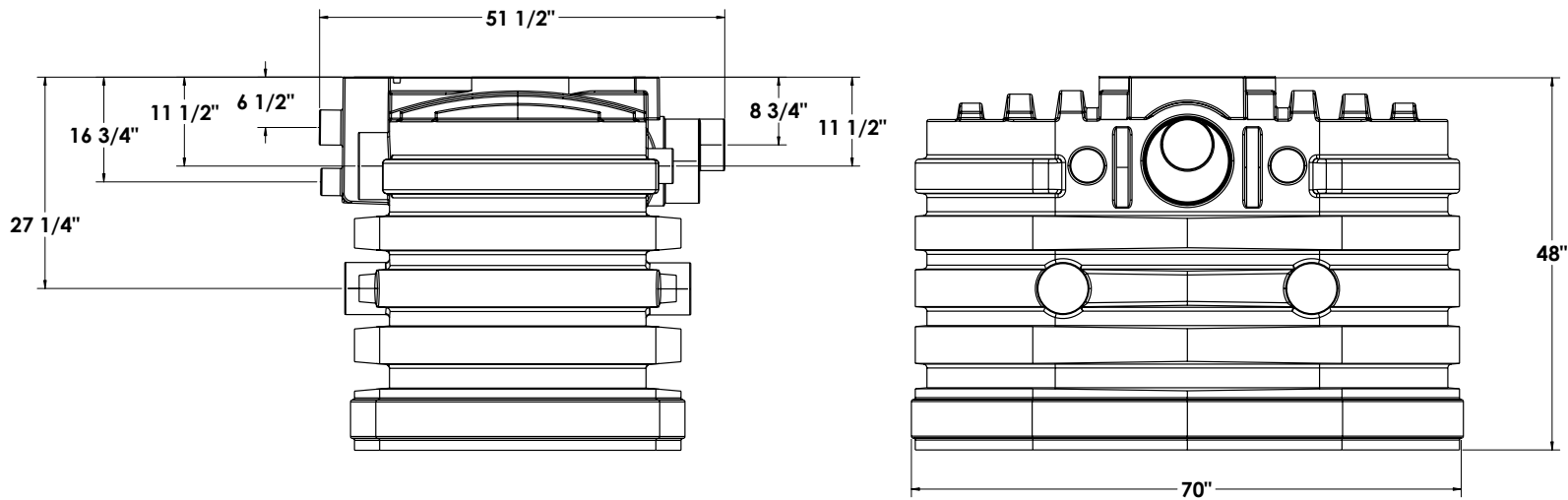


GW390

FLOTENDER™ GREYWATER RECYCLING SYSTEM

GW GREYWATER SYSTEM

The Flotender GW390 recycles water from your shower, bath, and/or washing machine and uses it to water your plants. Two large 150 mesh stainless steel filters provide fine filtering of debris, and a two-piece lid allows for easy access to the filters for routine service. Model selection is based on the number of fixtures that will be connected to allow for simultaneous usage.



FLOTENDER GREYWATER RECYCLING SYSTEM

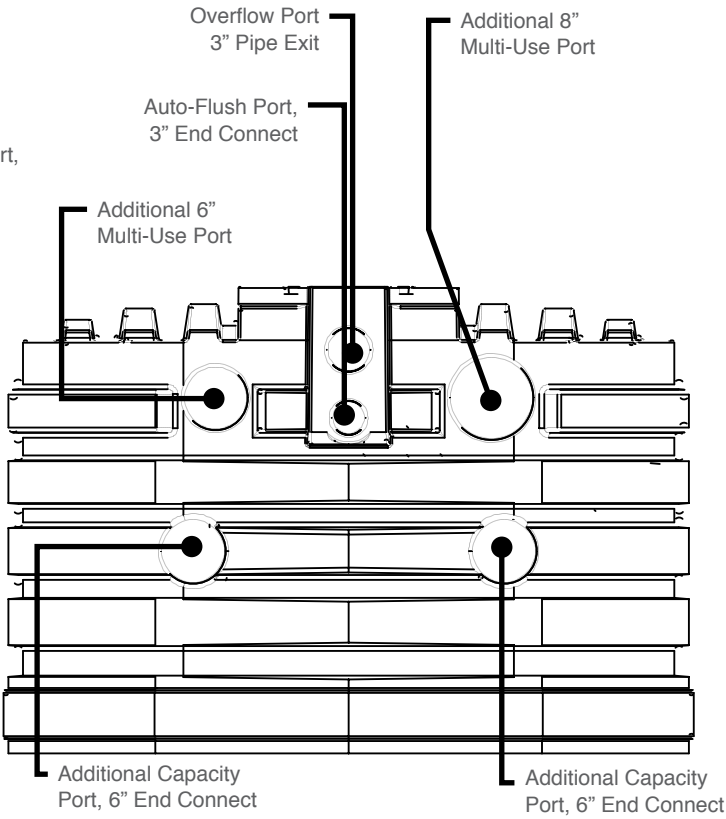
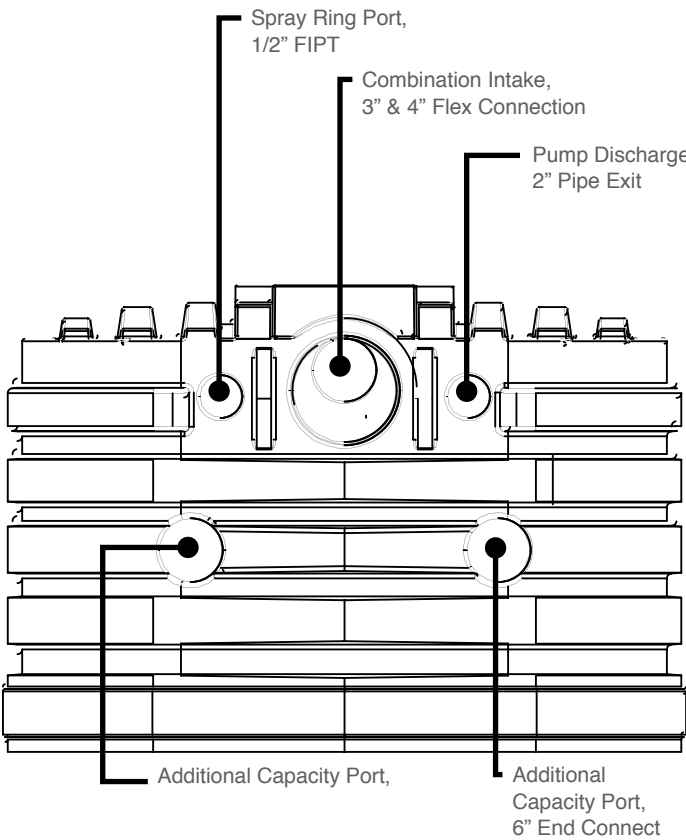
MODEL: GW390

FEATURES:

- 390 gallon surge capacity
- Connects to 2" or 3" intake pipe
- 150 mesh & 140 mesh, stainless steel, internal and external filtering
- 120v, 650W, 1/2 HP multi-stage pumping with filter rinse:
 - 2 gpm, 120 gph - 32 psi
 - 4 gpm, 240 gph - 30 psi
 - 6 gpm, 360 gph - 28 psi
 - 8 gpm, 480 gph - 26 psi
 - 10 gpm, 600 gph - 23 psi
 - 12 gpm, 720 gph - 20 psi
- Expandable 100 emitter, 100 GPH drip kit
- Pump and filter performance indicators
- Bolt down integrated lid system
- Convenient filter access
- Removable filter carriage and filter rinse assembly
- Internal stainless steel retainer and tracking system
- Additional capacity ports for expandable surge containment



GW390 PORTS



GW390 Greywater Recycling System

* Sized with the consideration that all greywater sources may be used simultaneously.


 Washing Machine
 25 Gallons Each


 Shower
 25 Gallons Each


 Bathtub
 50 Gallons Each



GW390
 Includes
 100 Emitter Drip Kit